



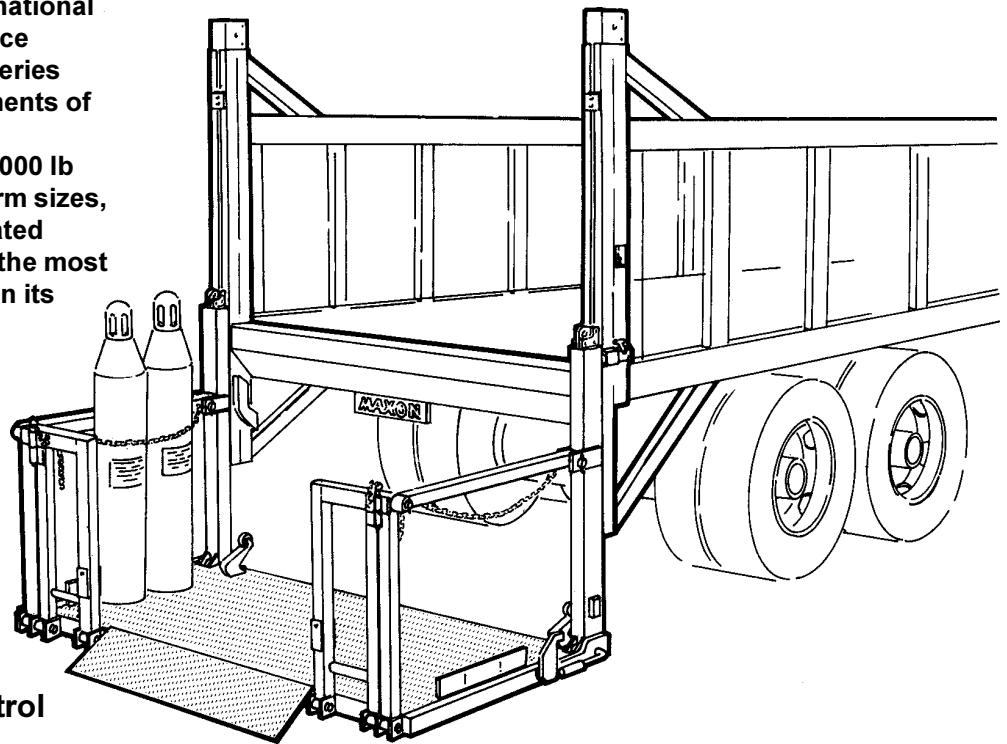
SPECIFICATIONS

MODELS: RC-CS-3, RC-CS-4

- ◆ HEAVY DUTY SERIES
- ◆ GAS BOTTLE HANDLING
- ◆ LEVEL RIDE, LOW PROFILE PLATFORM

As a result of ongoing cooperative engineering efforts with leading national and international gas bottle service companies, the MAXON RC-CS Series Railifts meet the unique requirements of this specialized industry.

Available in 3000 lb and 4000 lb capacities and a variety of platform sizes, the RC-CS Series, with its integrated cylinder securing system, offers the most standard features of any liftgate in its class.



FEATURES:

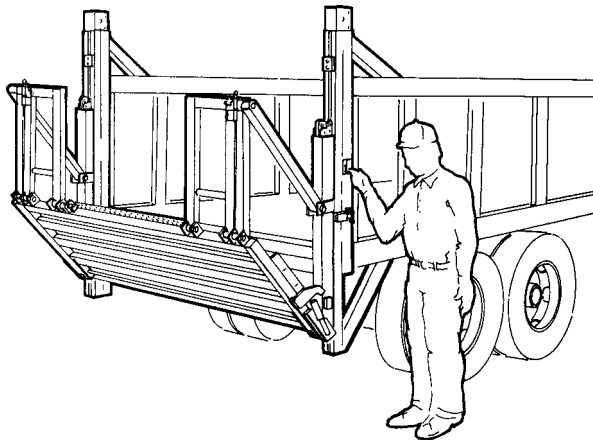
- Simplified Hydraulics
- 4-Step Paint Process
- Single Toggle Switch Control
- Automatic Fold Retention Railing
- Fold Down Railing for Dock Loading

MODEL	CAPACITY	OVERALL WEIGHT	PLATFORM LOAD AREA	RETENTION RAMP	BED HEIGHT (For Dock Loading)
RC-CS-3	3000 LBS.	1375 LBS.	24" x 90"	12" HINGED	30" Min. - 56" Max.*
		1478 LBS.	36" x 90"		39" Min. - 56" Max.*
RC-CS-4	4000 LBS.	1680 LBS.	42" x 90"		45" Min. - 56" Max.*

* Min. = Laden Max. = Unladen

SPECIFICATIONS

MODELS: RC-CS-3, RC-CS-4



RETENTION RAILING

Engineered as an integral part of the platform structure, the RC-CS Series retention railing folds and unfolds automatically, requiring no operator assistance.

HYDRAULIC SYSTEM

Computer Technology was used to determine and achieve the optimum performance for the electro-hydraulic system. This resulted in reduced hydraulic pressure and ampere draw, which increased the life of all electrical components by 33%.

ALUMINUM SHEAVES

Long wearing aluminum sheaves are gentle to the wire rope and greatly decrease wear and increase component life compared to the usual cast steel designs.

LONG LIFE WIRE ROPES

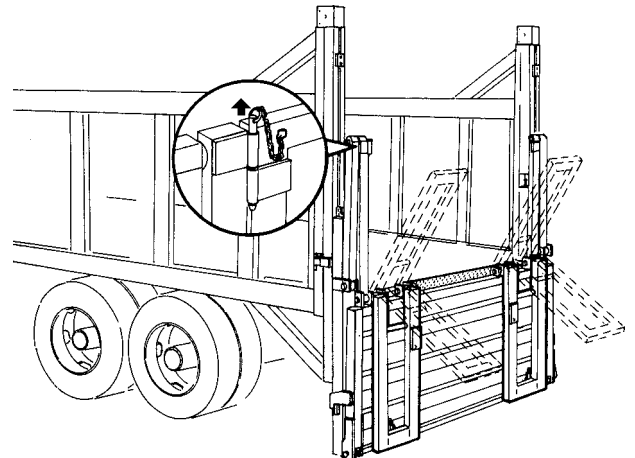
High flex wire ropes are designed for use with aluminum sheaves for up to 3 times longer life.

STANDARD EQUIPMENT

- Steel Pump/Motor Enclosure
- Marine Style Elec. Toggle Switch
- Fold-Down Railing
- 12" Hinged Ramp

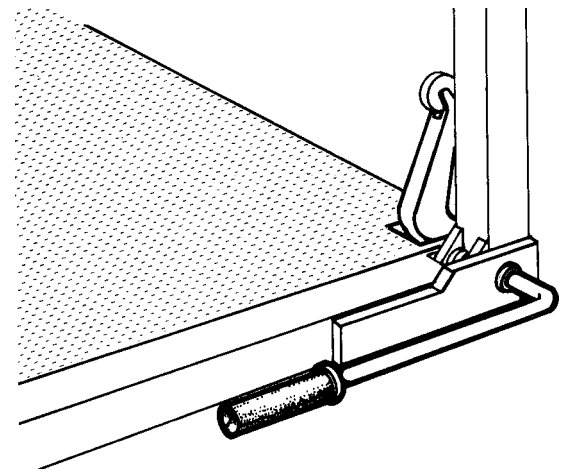
OPTIONAL EQUIPMENT

- Auxiliary Hand Pump
- 150 Amp Circuit Breaker (No Charge Option)
- Battery Pak
- Hydraulic Closing Platform
- Cab Cut Off Switch



FOLD-DOWN RAILING

The RC-CS "Fold-Down Railing" is designed to fold out of the way when loading or unloading at dock facilities. This standard feature nearly doubles the rear vehicle access space and allows the operator to load or unload in less time.



EASY-REACH CAM FOLLOWER HANDLE

Positioned outside the platform structure, within easy reach of the operator, the new Cam Follower Handle allows the operator to easily engage the platform folding mechanism.

Distributed By:

M105-0299

MAXON LIFT CORP. 11921 Slauson Ave., Santa Fe Springs, CA. 90670-2221
(800) 227-4116, FAX: (888) 771-7713 Internet: <http://www.maxonlift.com>