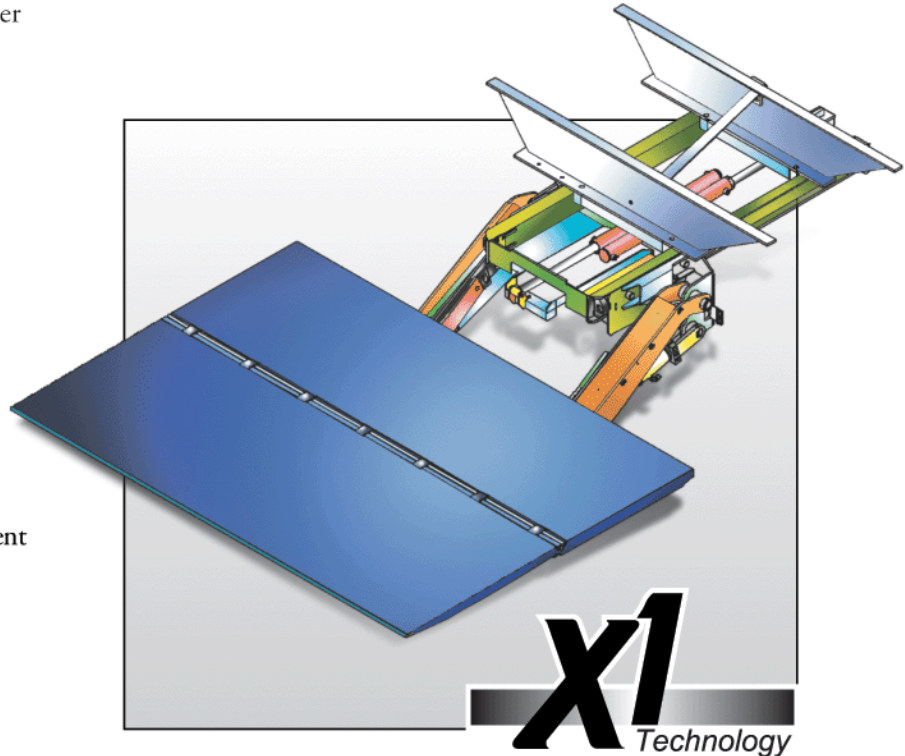


The GPSS X1 Series

The GPSS X1 is a trailer side door slide under liftgate that offers many features.

- Auto-leveling and foot controls
- Lightweight steel main platform
- Lightweight aluminum flip-over
- Torsion spring assisted flip-over section
- Plug-in electrical system eliminates installation confusion
- Totally molded outside control system to prevent corrosion
- Hand-held remote
- Maintenance-free bushings
- Dual cart stops
- Thermally protected motor
- Shipped fully assembled

SIDE LIFT
← **LIFTGATE SERIES** →

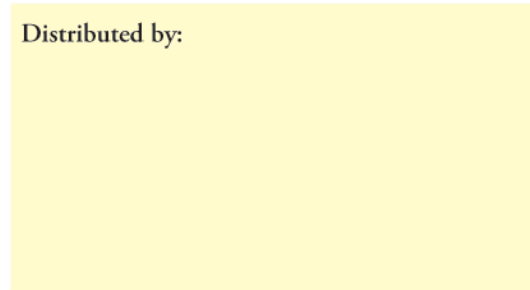


Model Capacity	Platform Size	Bed Height
GPSS 33 X1 (3300 Lbs.)	67" x 72" Wedge	40" Min. w/ Body Laden 55" Max. w/ Body Unladen

Optional Features

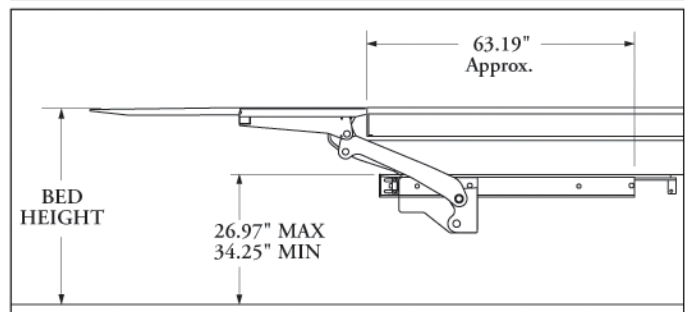
- Custom Color
- On/Off Switch in Pump Box
- Dual Pump Assembly Up-Charge
- Low Profile Battery Box (Batteries Not Included)
- AGM 12 Volt Battery (2 Required)

Distributed by:



Maxon Lift Corp.

11921 Slauson Ave., Santa Fe Springs, CA 90670
Tel: 562.464.0099 • 800.227.4116 • Fax: 888.771.7713
www.maxonlift.com



Lift Dimensions and Mounting Requirements